

980nm Polarization Maintaining Optical Isolator

Features

- High Isolation
- Low Insertion Loss
- High Extinction Ratio
- High Stability and Reliability
- Cost Effective

Applications

- Fiberoptic Amplifiers
- Pump Laser Source
- Fiberoptic Sensor
- Test and Measurement
- Instrumentation

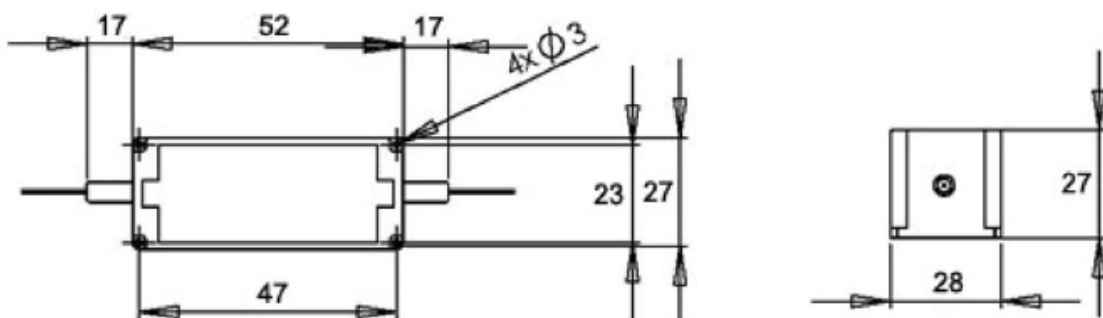
Performance Specifications:

Parameter	Unit	Spec
Operating Wavelength	nm	970nm to 990nm
Typical Peak Isolation	dB	25dB
Minimum Isolation	dB	20dB
Typical Insertion Loss	dB	0.8dB
Maximum Insertion Loss	dB	1.2dB
Extinction Ratio	dB	20dB(Typ. 25dB)
PMD	ps	0.2ps
Return Loss	dB	≥ 50dB
Optical Power	mW	600mW
Operating Temperature	°C	0 to +60°C
Storage Temperature	°C	-40 to +85°C
Fiber Type	/	See Order information
Package Dimensions	mm	L52mm x W28mm x H27mm

Note:

1. The PM fiber and the connector key are aligned to the slow axis.
2. The ER is for fiber ≤ 0.75 meter. Increase fiber length can decrease the ER.
3. For devices with connectors, insertion loss will be 0.3dB higher, return loss will be 5dB lower, and extinction loss will be 2dB lower.

Mechanical Dimensions:





Ordering Information:

S-PMIS	Wavelength	Grade	Pigtail Style	Fiber Length	Fiber Type	In/Out Connector	Working axis
	□□	□	□	□	□	□□	□
	98=980nm	P=Grade P	1=Bare Fiber 2=900um tube	1=0.25m 2=0.5m 3=1.0m 4=Custom Length	2=PM980 S=Special	0=None 1=FC/APC 2=FC/PC 3=SC/APC 4=SC/PC 5=ST 6=LC/UPC 7=LC/APC X=Special	S=Slow axis working B=Both axis working F=Fast axis working

For Example: S-PMIS-98-P-1-1-2-00-S